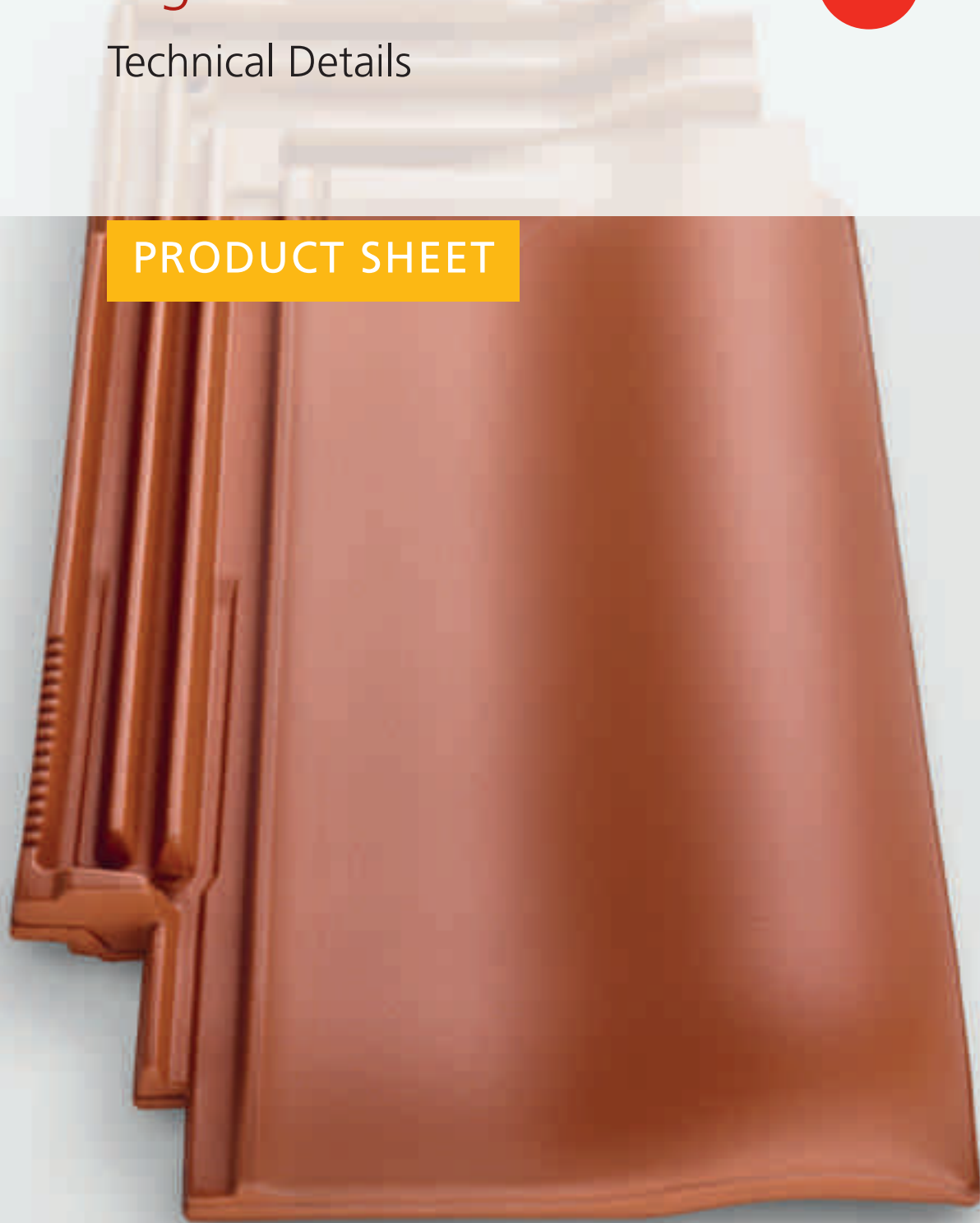


Ergoldsbacher **E 58 RS**[®]



Technical Details

PRODUCT SHEET



ERLUS 

Quality made in Germany

The Ergoldsbacher E 58 RS® – the solution for flat roofs!

The Ergoldsbacher E 58 RS® is the sixth model in the popular E 58 family and is a special tile for flat roofs. Its sophisticated technical design permits a low roof pitch (standard roof pitch 16°, minimum roof pitch 10°) because the water on the tile surface is channelled away perfectly. The marked profile of the interlocking joints on all sides with triple head and side locks and the direct water channelling ensure that the substructure stays dry. This means that no laborious extra measures are necessary to ensure raintightness.

Rainproof for roof pitch $\geq 10^\circ$

thanks to 3-fold head
and lateral interlocking
joint

**Ideal for flat-pitched
roofs $\geq 10^\circ$ roof
pitch, e.g. for
extending living
space by adding
floors**

Especially robust and break-proof

thanks to high ribs on
the front and rear side

Easy handling

ca. 4 kg per piece,
can be installed with
one hand

Storm groove

for a perfect fit
for storm clips

Perfect design in E 58 look

Harmonious propor-
tion, clean interlock-
ing joint, gentle curva-
ture of the visible surface

Extremely robust

Hail resistance class 4

Gauge: ca. 36.3 cm

Very good channel flow

thanks to high ribs on the head
and lateral interlocking joint

High protection against storm and wind suction

thanks to the triple cover in the four-tile overlap





Clear design, slight roof overhang

One roof tile, many possibilities ...



More living space with floor additions

Modern architecture and the advantages of a pitched roof

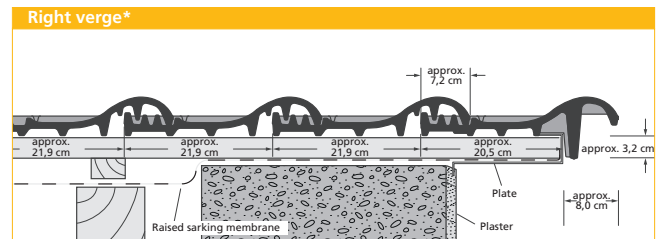
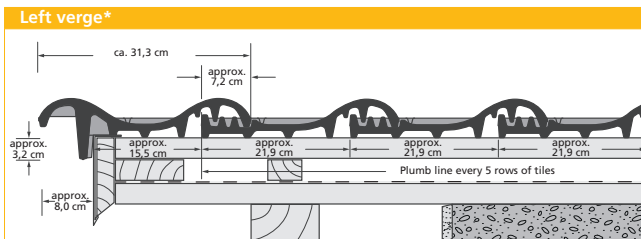
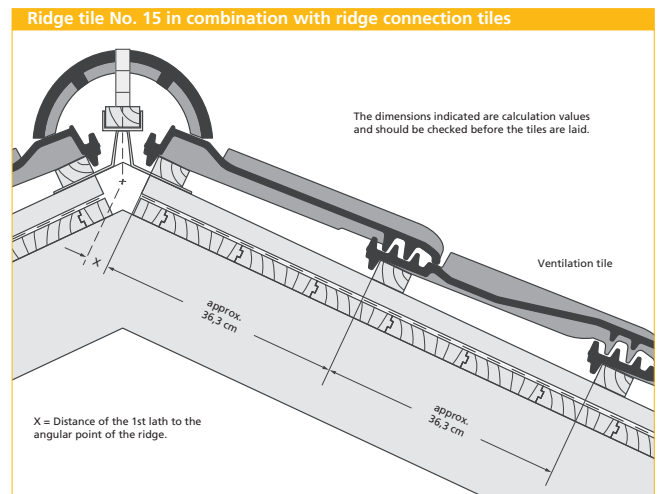
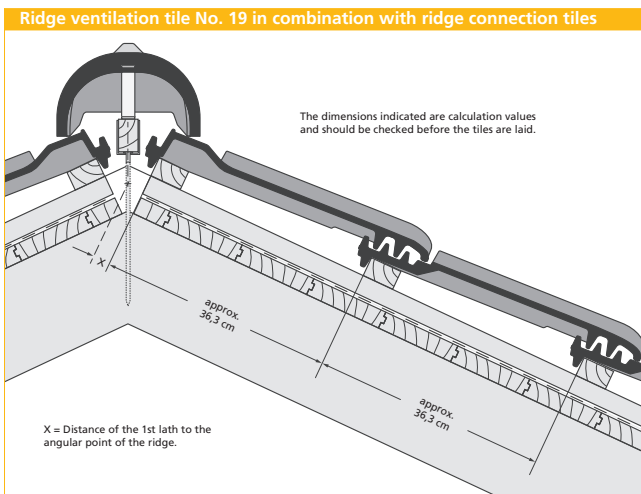
Many house builders want a house with a clear, contemporary form. However, they still want the safety a pitched roof provides. And for good reason: a pitched roof with clay roof tiles lasts a very long time and is easy to install. Because the water can drain off easily, the roof is raintight and hardly needs any maintenance. The new Ergoldsbacher E58 RS® combines all the advantages. Thanks to its special technical form, it fits on shallow roofs with a pitch of 10° upwards. This allows a modern construction without costly sealing that requires intensive maintenance.

More leeway for house extensions too

If the living space gets too cramped, floor additions to existing buildings are also popular. But that's only feasible if the permissible construction height can be complied with. As the Ergoldsbacher E58 RS® allows for a shallow roof pitch, this rainproof roof tile is also suitable for building projects of this kind.

Technical data

Size:	approx. 28,5 x 46,5 cm
Gauge:	approx. 36,0 - 36,6 cm
Average cover width:	approx. 21,9 cm
Quantity required per m ² :	approx. 12,5 tiles
Weight per m ² in accordance with DIN 1055 incl. battens:	approx. 0,55 kN/m ²
Real weight without battens:	approx. 0,53 kN/m ²
Pallet capacity:	200 tiles
Pallet weight:	approx. 860 kg
Bundle capacity:	5 tiles
Hail resistance class:	4



* The screw hole in the verge on low-pitched roofs should be permanently sealed (e.g. using plumbing screws)

Distance between the 1st lath and the angular point of the ridge

X (distance) in mm	Ridge connection tiles ¹⁾										Standard tiles ²⁾											
	10	15	20	25	30	35	40	45	50	55	60	10	15	20	25	30	35	40	45	50	55	60
Ridge tile No. 15	70	65	60	60	55	55	50	45	50	50	45	40	35	30	30	20	15	15	15	15	-	-
Ridge ventilation tile No. 15	70	70	65	60	60	55	55	55	-	-	-	-	-	-	-	-	-	-	-	-	-	-
Ridge tile No. 18	65	60	60	55	50	45	45	35	35	35	35	-	-	-	-	-	-	-	-	-	-	-
Ridge ventilation tile No. 19	55	45	45	45	40	40	35	-	-	-	-	-	-	-	-	-	-	-	-	-	-	-
Ridge tile No. 21	60	55	50	50	45	40	35	30	30	30	30	-	-	-	-	-	-	-	-	-	-	-

1) without aluminium ridge ventilation strap 2) with aluminium ridge ventilation strap

Assignment of additional measures for the Ergoldsbacher E 58 RS®

According to the Central Association of German Roofers' pamphlet on sub-roofs, sub-coverings and under-bracings, and the basic regulations of the Roofers' Guild, regular roof pitch 16°, minimum roof pitch 10°, according to the state of technology.

Increased demands due to

Use: of the attic level, especially for residential purposes (residential use equals two increased demands)

Construction: special roof shapes (e.g. butterfly roof), long spar lengths (longer than 10 meters), heavily structured roof shapes (e.g. due to valleys, gables, etc.)

Climate situation: exposed locations, extreme locations, areas with a lot of snow, special weather situations, areas with a lot of wind

Technical installations: On-roof or in-roof systems, air-conditioning systems, antenna systems, roof access systems, rooflight/skylight systems, snow guard systems, etc.

Classification

Class 1: Waterproof sub-roof (1.1.)

Class 2: Rainproof sub-roof (1.2.)

Class 3: Seam and perforation secured under-bracing (2.1.)
Seam and perforation secured sub-covering (3.1.)

Class 4: Welded or glued sub-covering (2.2.)
Coated under-bracing made of strips of bitumen (2.3.)
Seam-secured sub-covering (3.2.)

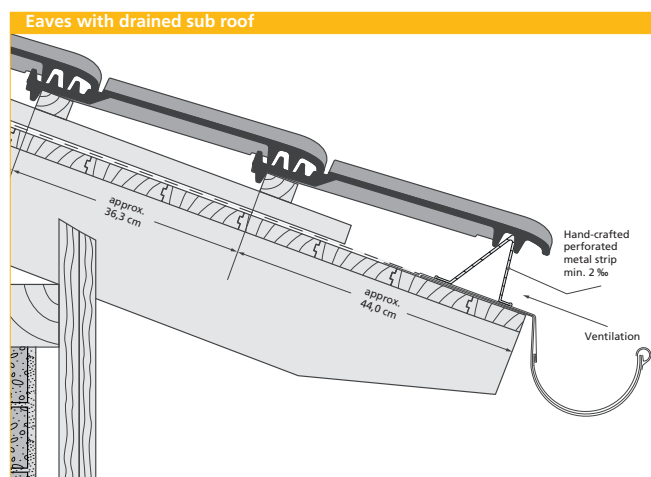
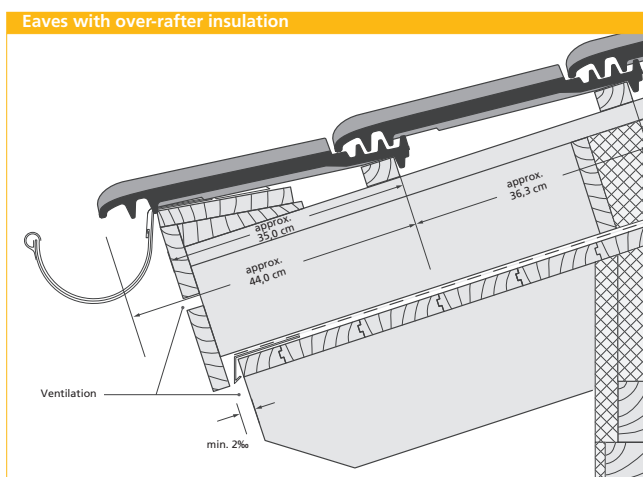
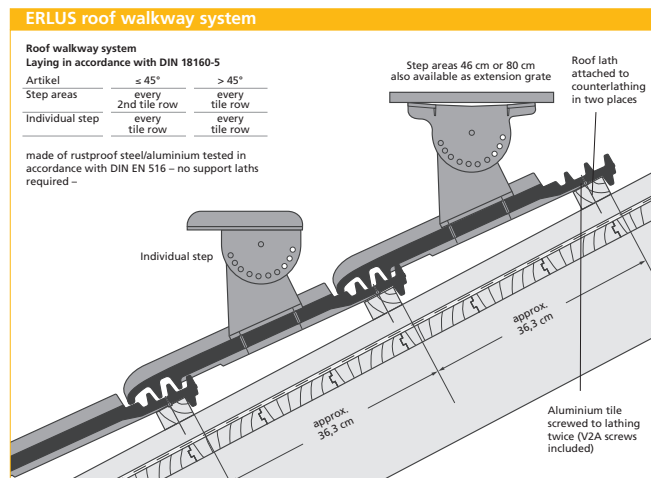
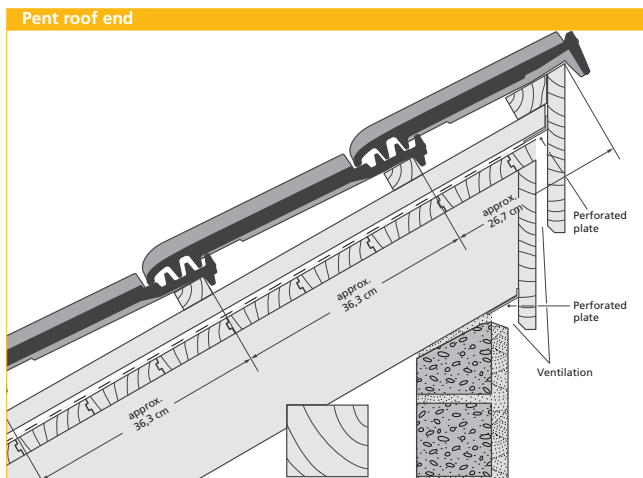
Class 5: Overlapped / tongue in groove sub-covering (2.4.)

Class 6: Under-bracing (3.3.)

Definition of sub-roof's type to use

Roof pitch	No further increased demands*	One further increased demand*	Two further increased demands*	Three further increased demands*
≥ 16°	Class 6	Class 6	Class 5	Class 4
From < 16° to ≥ 12°	Class 4	Class 4	Class 3	Class 3
From < 12° to ≥ 10°	Class 3	Class 3	Class 3	Class 3*

* The additional measures listed in the table are minimum measures under consideration of Table 1 in the pamphlet on sub-roofs, sub-coverings and under-bracings. Sub-covering panels are to be assigned according to the classification in the pamphlet on sub-roofs, sub-coverings and under-bracings. Increased demands make up categories according to chapter 1.1.3. Further increased demands can arise out of the weighting within a category according to 1.1.3. For example, climate situations can result in several increased demands. Only permitted if the manufacturer provides proof of the functionality and safety of the products used, including accessories (sealing tapes, sticky tapes, sealing compounds, pre-assembled seam securing, etc.), as part of a deluge test and 24-hour rain test on a roof pitch of 15°. Otherwise, the next class up is to be selected. Any limitations noted by the manufacturer are to be taken into account. See the product data information sheet for instructions regarding protection against perforation. These can be used for classes 3 to 6.



Plans above are not drawings to scale. To help with planning, you can download all the drawings as CAD drawings from the Internet at www.erlus.com. We recommend using an eaves flashing.



Natural red



Anthracite



Copper brown



Black Matt



Diamond Black



Burgundy

Like all Ergoldsbacher clay roof tiles, the **Ergoldsbacher E 58 RS®** exceeds the quality requirements set out in the DIN EN 1304 roof-tile norm. Ergoldsbacher roof tiles are natural building materials through and through. This is also evident from the fact that the individual tiles display slight variations in colour.

Given that the regulations and roofing traditions vary throughout Europe, our manufacturer's instructions should be given priority when you lay the tiles. Additional measures for wind protection should generally be carried out in accordance with current local regulations.

The sizes and weights given are nominal values. Owing to changes in the raw materials and varying shrinkage characteristics, it is not always possible to prevent deviations. It is therefore advisable to check the dimensions of the roof before laying the tiles. Occasional imperfections are an inherent part of the production/transportation process and do not affect the quality of the roof tiles.



Standard tile



Verge tile left



Verge tile right



Double roll tile ¹⁾



Ridge connection tile



Ventilation tile



Pent roof tile



Snow stop tile



Ridge tile No. 15



Ridge ventilation tile No. 15 ²⁾



Ridge tile No. 18



Ridge ventilation tile No. 19 ²⁾



Ridge tile No. 21



Hip cap for ridge tile No. 15



Hip cap for ridge tile No. 18



Aluminium sanitary ventilator ^{3) 4)}



Aluminium solar outlet ⁴⁾



Aluminium solar panel holder ⁴⁾



Aluminium aerial ⁴⁾

- 1) Cover width approx. 23,5 cm
 2) Recommended for a fully ceramic roof ventilation system with rafters up to 10 m in length
 3) Ø 125 mm, Ventilation cross section = 122 cm²
 4) With basic tile

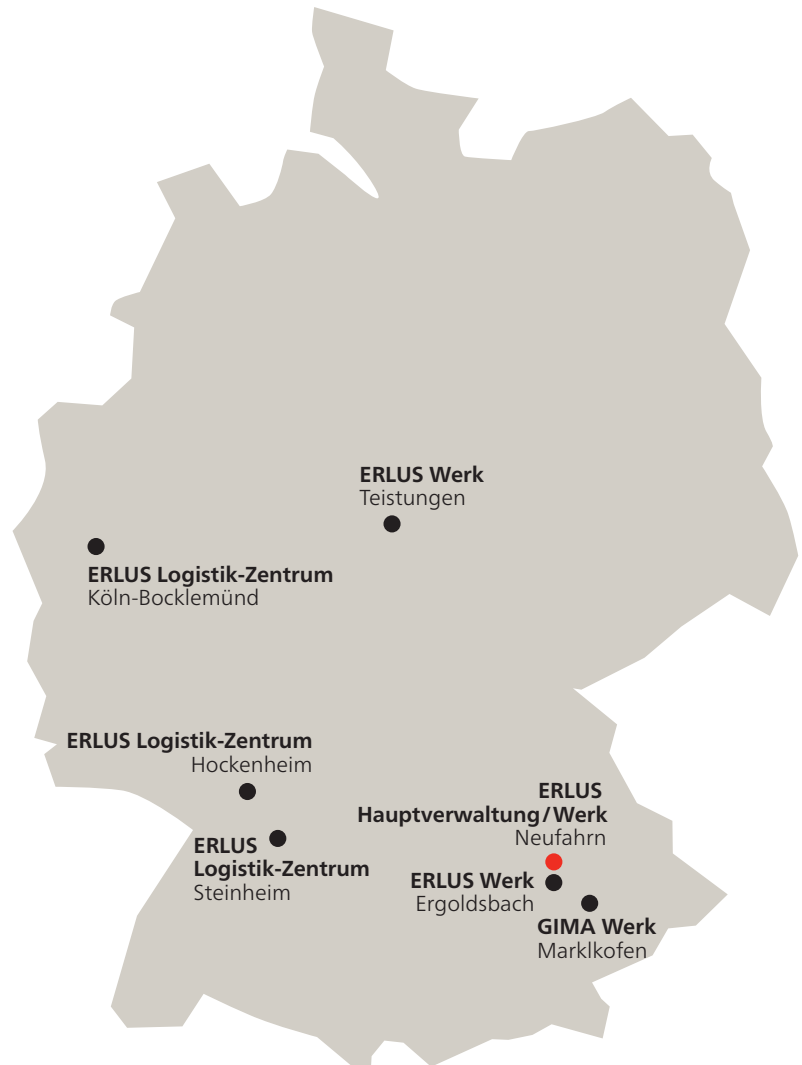
The following accessories are also available:

- ERLUS Aluminium roof walkway system (coated)
- ERLUS Aluminium snow-guard system (coated)
- ERLUS Universal storm clips in accordance with DIN EN 14437
- Ridge clips

Please ask for our leaflet for special ERLUS-accessories !

ERLUS AG

Hauptstraße 106
84088 Neufahrn/NB
T 08773 18-0
F 08773 1849300
info@erlus.com
www.erlus.com



Only the colour of the original roof tiles is guaranteed. True reproduction of colours cannot be guaranteed in print!

This brochure is a translation from the German language. Since differences may occur due to language-based interpretation, we explicitly indicate that only the original German content is binding. When in doubt, the DIN EN 1304 regulation shall always apply.

This brochure was last updated in September 2018.

Copyright notice © ERLUS AG 2018. All rights reserved. These documents are protected by copyright. They may not be reproduced, modified, distributed in any form or way or saved in a database or other data storage system – either in full or in part – without the prior consent of ERLUS AG. Any use of these documents without prior consent shall count as a breach of the relevant copyright regulations.